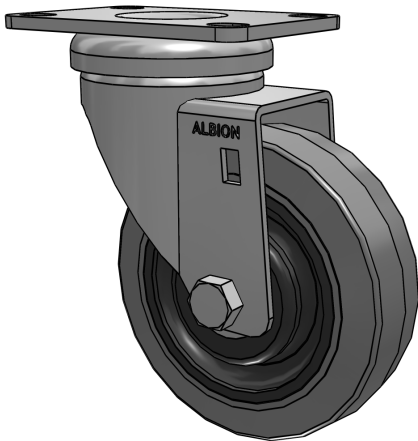


# DC Dolly Casters

DCXS04031S

# ALBION®

www.albioncasters.com



Interactive 3D graphic, click to activate and rotate.  
(3D capable PDF viewer required)

## DC Dolly Casters

An ideal solution for dolly applications; the DC Dolly lineup is both economical and durable. All wheels are non-marking and the XS wheels feature interlocking thread guards to protect them from entangling debris.

## Albion

As material handling and heavy duty experts for over 65 years, Albion's proven mobility solutions are capable of the most challenging applications. From the largest offering of industrial casters and wheels, to cutting-edge custom designs - Albion's experience and technology ensure that every solution meets the performance requirements unique to each customer's needs. Albion offers the most complete line of industrial casters—with product solutions capable of handling over 30,000 lbs. per caster.

## Standard Features

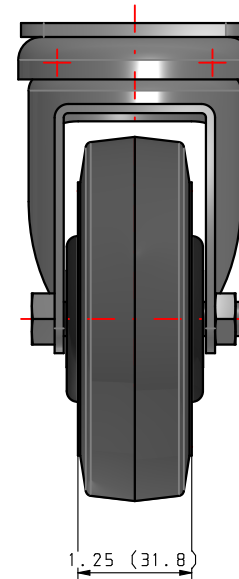
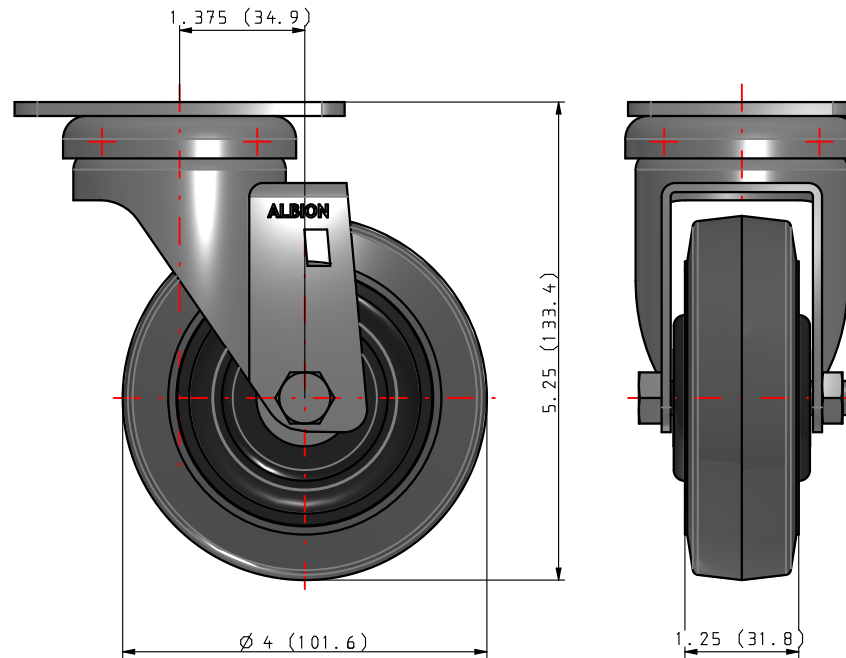
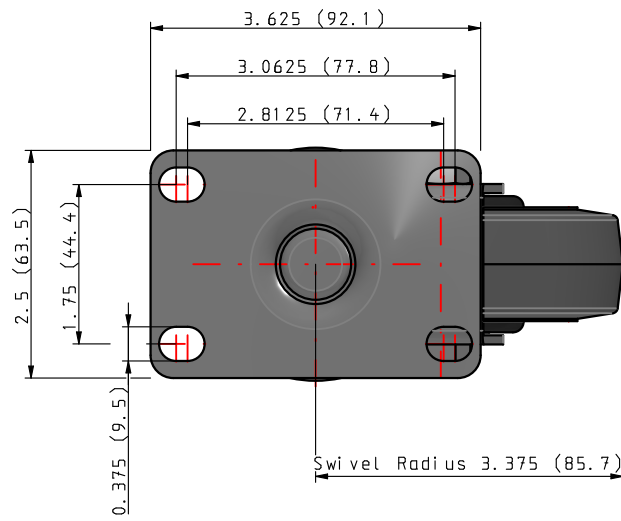
- Swivel Section: Double ball raceway for standard top plate (Single ball raceway for optional S01 top plate)
- Finish: Zinc plated finish
- Thread Guards: Interlocking thread guards standard on XS models, keeping out entangling debris for longer life
- Construction: Riveted construction
- Economical
- Non marking
- Thread guards protect axle from entangling debris
- Alternate or custom caster configurations available

Technical Details	
Part Number	DCXS04031S
Series	DC Series
Fastening Type	Top Plate Swivel
Fastening Size	3-5/8" x 2-1/2"
Wheel Type	XS - X-tra Soft Rubber (Flat)
Wheel Diameter [INCH]	4
Tread Width [INCH]	1 1/4
Wheel Face	Crowned Tread
Wheel Color	Grey Tread on Grey Core
Temperature Range	-45°F to +180°F
Hardness	65-75 Shore A
Bearing Type	Annular Ball
Brake Type	None
Capacity [lbs]	325
Mount Height [INCH]	5 1/4
Swivel Lead [INCH]	1 3/8
Swivel Radius [INCH]	3 3/8



Albion  
800 N. Clark Street  
Albion, MI 49224

800-835-8911  
www.albioncasters.com



**ALBION®**

Part Number:

**DCXS04031S**

Series:

**DC Dolly Casters**

Brand:

**Albion**

**Albion**

800 N. Clark Street • Albion, MI 49224

**Phone:** 800-835-8911

**Fax:** 517-629-9501

**Website:** [www.albioncasters.com](http://www.albioncasters.com)