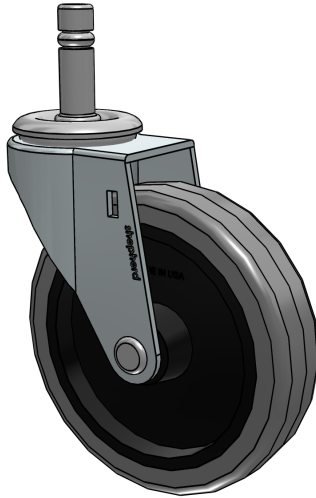


Regent Series

PRE40273ZN-TPR



www.shepherdcasters.com



Interactive 3D graphic, click to activate and rotate.
(3D capable PDF viewer required)

Shepherd

As a leading designer of light-duty and low-profile casters, Shepherd has pioneered innovations that have revolutionized industries. With single and twin-wheel casters customizable for performance, aesthetics, or cost —Shepherd's continued focus on design and quality is what sets a Shepherd caster apart from the competition. Caster products range from 40 to 1,000 lbs. per caster, and feature an industry leading selection of fastenings, finishes, and brakes.

Standard Features

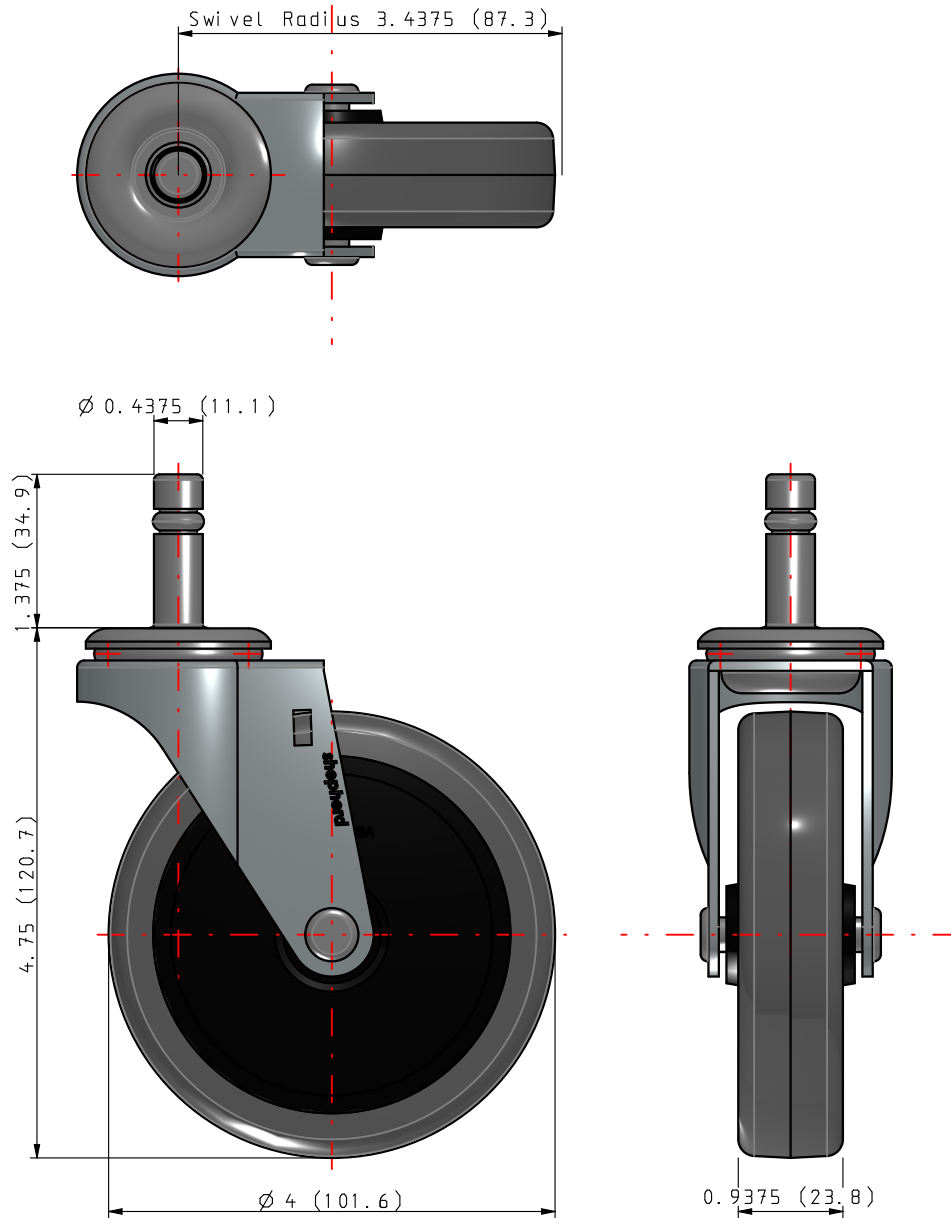
- Made in USA, with an industry leading selection and overall value
- High-strength & heat treated steel for increased durability and caster life
- Dual ball bearing raceways for smooth swivel action and performance
- RoHS compliant zinc plating for corrosion resistance
- Solid rivet axle
- Octagon washer on stem models for easy installation
- NSF approved (less thread guards, and models with 113 top plate)
- Optional finishes available by special order

Technical Details	
Part Number	PRE40273ZN-TPR
Series	Regent Series
Wheel Diameter [INCH]	4
Mounting Options	Grip Ring Stem
Stem/Plate Size	7/16" x 1-3/8" with Brass Band (273)
Expanding Adapter Stem	N/A
Tread Width [INCH]	15/16
Tread Type	Thermoplastic Rubber
Finish	Zinc
Minimum Order	-
Dynamic Load [Pounds]	125
Caster Brake	Without Brake
Mounting Height [INCH]	4 3/4
Swivel Radius [INCH]	3 7/16



Shepherd
203 Kerth Street
Saint Joseph, MI 72401

1-800-253-0868
www.shepherdcasters.com



Part Number:

PRE40273ZN-TPR

Series:

Regent Series

Brand:

Shepherd

Shepherd

203 Kerth Street • Saint Joseph, MI 49085

Phone: 1-800-253-0868

Website: www.shepherdcasters.com