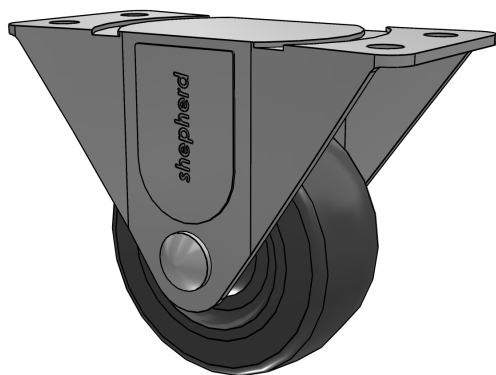


# General Duty Series

PRQ30124ZN-3H



www.shepherdcasters.com



Interactive 3D graphic, click to activate and rotate.  
(3D capable PDF viewer required)

## Shepherd

As a leading designer of light-duty and low-profile casters, Shepherd has pioneered innovations that have revolutionized industries. With single and twin-wheel casters customizable for performance, aesthetics, or cost —Shepherd's continued focus on design and quality is what sets a Shepherd caster apart from the competition. Caster products range from 40 to 1,000 lbs. per caster, and feature an industry leading selection of fastenings, finishes, and brakes.

Technical Details	
Part Number	PRQ30124ZN-3H
Series	General Duty Series
Mounting Options	Top Plate Rigid
Wheel Diameter [INCH]	3
Plate Size	4-7/8" x 2-5/16"
Bolt Spacing/Bolt Hole	1-3/16" x 4" (for 5/16" bolt)
Tread Width [INCH]	1 1/4
Tread Type	Hard Rubber (Dark Grey)
Finish	Zinc
Dynamic Load [Pounds]	225
Caster Brake	N/A
Mounting Height [INCH]	3 13/16
Swivel Radius [INCH]	0

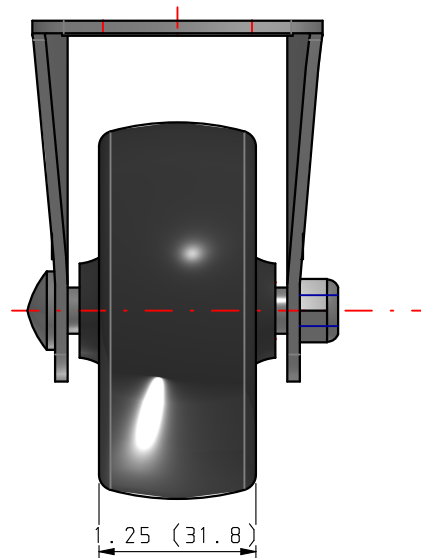
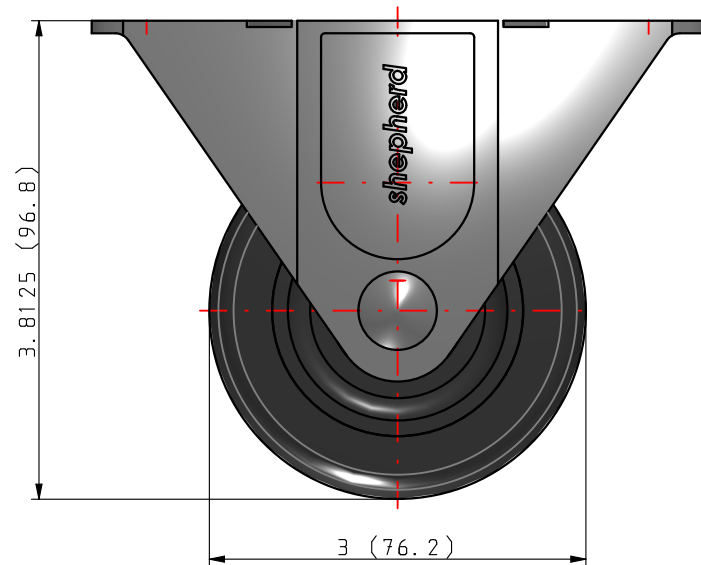
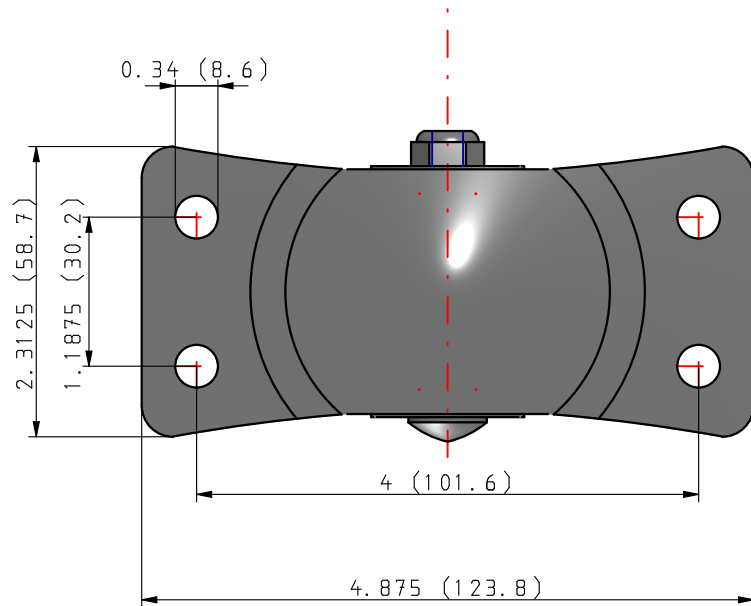
## Standard Features

- Economical, single raceway mobility solution
- Large formed raceway helps distribute load shocks
- Nickel plated kingpin for smooth swivel action
- RoHS compliant zinc plating for added corrosion resistance
- Available in various sizes ranging from 2" to 4" wheel diameters
- Swivel, rigid, and brake options for all sizes and wheel types
- Nut and bolt axle standard



Shepherd  
203 Kerth Street  
Saint Joseph, MI 72401

1-800-253-0868  
www.shepherdcasters.com



Part Number:

PRQ30124ZN-3H

Series:

General Duty Series

Brand:

Shepherd

**Shepherd**

203 Kerth Street • Saint Joseph, MI 49085

Phone: 1-800-253-0868

Website: [www.shepherdcasters.com](http://www.shepherdcasters.com)